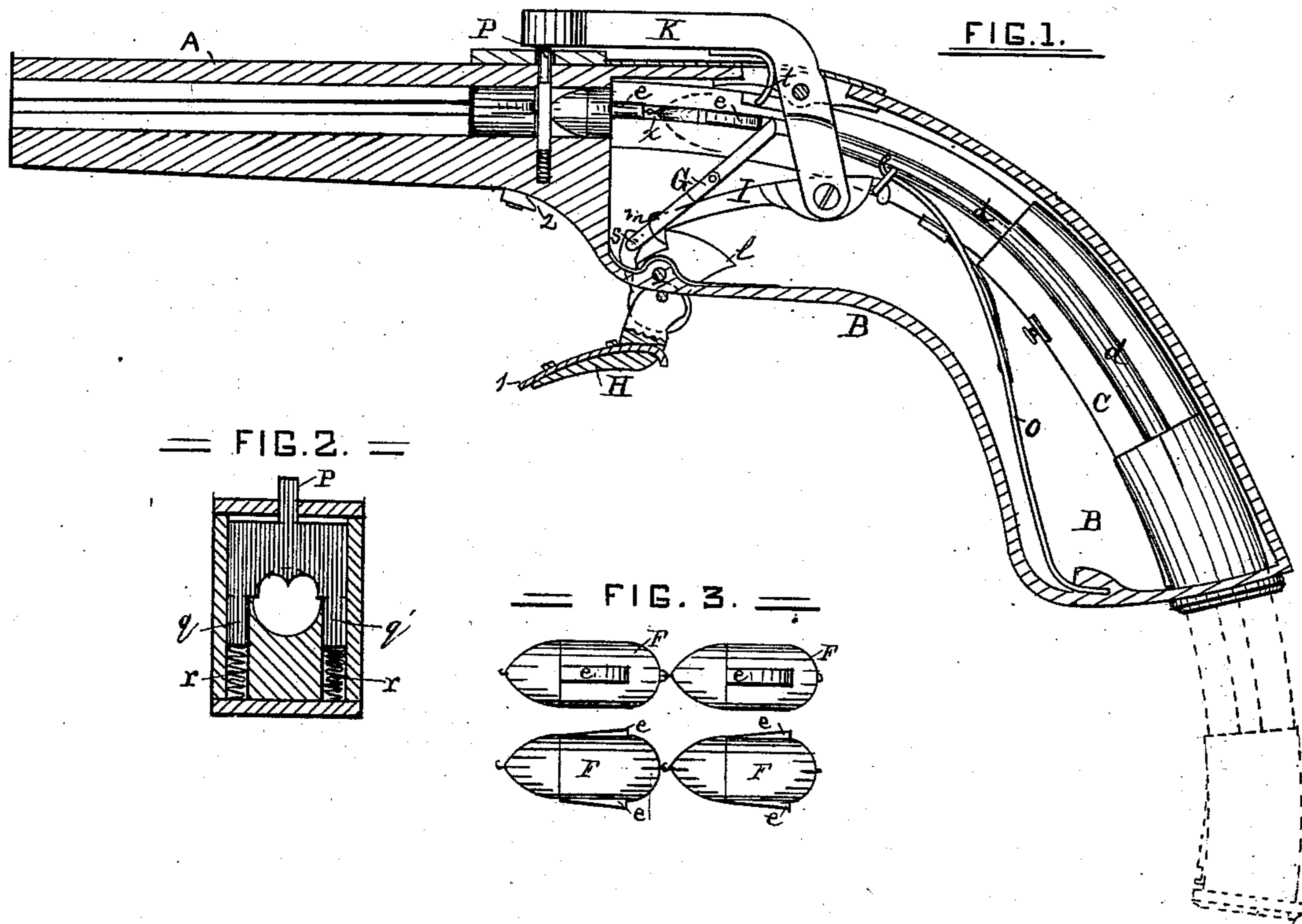


B. C. GOUGH.
Magazine Fire-Arm.

No. 214,123.

Patented April 8, 1879.



WITNESSES.
J. C. Hubbell
Hugh Person

INVENTOR.
B. C. Gough
BY H. M. Jenkins
ATTORNEY.

UNITED STATES PATENT OFFICE.

BENJAMIN C. GOUGH, OF CANTON, MISSISSIPPI.

IMPROVEMENT IN MAGAZINE FIRE-ARMS.

Specification forming part of Letters Patent No. **214,123**, dated April 8, 1879; application filed July 18, 1878.

To all whom it may concern:

Be it known that I, BENJAMIN C. GOUGH, a resident of the city of Canton, county of Madison, and State of Mississippi, have invented a certain new and useful Improvement in Fire-Arms; and I do hereby declare the following to be a full, clear, and correct description of the same, reference being had to the annexed drawings, making a part of this specification.

This invention relates to fire-arms in which successive cartridges are moved forward by the action of the lock in exploding.

The nature of said invention consists in the construction and combination hereinafter particularly described.

My invention will be readily understood by referring to the accompanying drawings, whereon—

Figure 1 represents a longitudinal section of a pistol constructed after my improved plan. Fig. 2 is a cross-section of the nipple, with its supporting-springs; and Fig. 3, views of the cartridges and the manner in which they are joined together.

A is a rifled barrel, which is provided with a hollow handle or stock, B, for containing the lock and cartridge tube or chamber C, the latter curved to conform to the upper edge of the stock, and preferably made in sections, thus forming a telescopic tube, that may extend beyond the end of the stock, as shown in dotted lines, and consequently contain a greater number of charges.

The sides of the tube or of the section thereof, except a part which will presently be mentioned, are constructed with outwardly-projecting ribs *d*, the interior of which form grooves for the passage of the guides *e* of the cartridge-shells F.

Between the breech and hammer open grooves *x* are cut on the prolongation of the aforesaid ribs, so as to cause an outward projection of the guides *e*, the same to be engaged by the side spring-levers G, and thereby pressed forward into position.

The lock is self-acting, the pulling back of the trigger H moving forward the dog I, and thereby raising the hammer K until the heel *l* of the former raises the hook *m* of the dog I clear of the same, when the said dog is sprung back by the action of the spring O, which causes the hammer to descend upon the nipple or anvil P, and thus explode the lead-

ing cartridge, while at the same time it cuts it off from those in the rear.

The nipple and striker are both made in one piece, and also serve as a movable breech-block, as shown at P, Fig. 2. This striker has two side arms, *q q*, which rest upon springs *r r*. After the blow of the hammer K drives down the striker, these springs carry the latter back into position for admitting another cartridge.

The lower ends of the spring-levers G are secured to the front edge of the trigger, as shown at *s*, and are drawn back by the dog during the falling of the hammer, so as to be in position to forward other cartridges as rapidly as they may be required.

To charge the tube after a number of cartridges have been exploded, it is only necessary to raise the hammer, when the few remaining cartridges will fall back to the end of the tube. Others can then be linked thereto, and the whole moved forward into position. The hammer is next lowered, thereby causing a spur, *t*, that is constructed on its lower side, to enter a slot in the upper portions of the tube, and thus prevent the chain from slipping backward.

By a slight change in the position of the spring-levers G, they may be made to push forward the first instead of the second cartridge.

The trigger is furnished with a draw-pin, 1, for engaging in a notch, 2, by which means it is held snugly against the weapon when not in actual use.

Having described my invention, what I claim as new, and desire to secure by Letters Patent, is—

1. In combination with hammer K and barrel A, the striker P, having arms *q' q'*, and springs *r r*, said striker serving also as a breech-block.

2. The combination of the hammer K, dog I, spring O, trigger H, and spring-levers G, whereby the cartridges are successively moved forward and exploded, substantially as specified.

In testimony whereof I have hereunto signed my name.

B. C. GOUGH.

In presence of—

J. C. HUBBELL,
P. J. FINNEY.